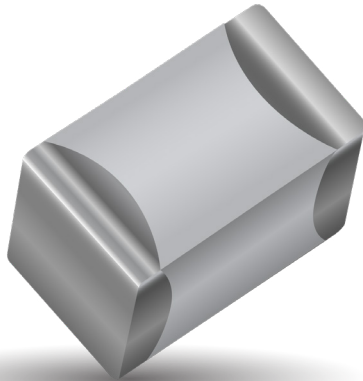


# RF/Microwave Capacitors

## RF/Microwave Multilayer Capacitors (MLC)

### 600F Ultra-Low ESR, High Q, NPO Capacitors



## FEATURES

- Lowest ESR in Class
- Highest Working Voltage in Class - 250 V
- Standard EIA Size: 0805
- Laser Marking (Optional)
- High Self-Resonance Frequencies

## 600 SERIES OVERVIEW

Series	Case Size	EIA Case Size
600	L	0402
600	S	0603
600	F	0805

## APPLICATIONS

- Cellular Base Stations
- Broadband Wireless Services
- Satellite Communications
- Subscriber-based Wireless Devices
- WiFi (802.11)
- Public Safety Radio

## CIRCUIT APPLICATIONS

- Filter Networks
- High Q Frequency Sources
- Matching Networks
- Tuning, Coupling, Bypass and DC Blocking

## ELECTRICAL SPECIFICATIONS

<b>Temperature Coefficient (TCC)</b>	0 ± 30 PPM/°C
<b>Capacitance Range</b>	0.1 pF to 240 pF
<b>Operating Temperature</b>	-55°C to +125°C*
<b>Quality Factor</b>	Greater than 2,000 @ 1 MHz
<b>Insulation Resistance (IR)</b>	10 <sup>5</sup> Megohms min. @ 25°C at rated WVDC 10 <sup>4</sup> Megohms min. @ 125°C at rated WVDC
<b>Working Voltage (WVDC)</b>	200 V
<b>Dielectric Withstanding Voltage (DWV)</b>	250% of rated WVDC for 5 seconds
<b>Aging Effects</b>	None
<b>Piezoelectric Effects</b>	None

## PACKAGING OPTIONS



Tape & Reel



Vertical Orientation Tape & Reel



## ENVIRONMENTAL CHARACTERISTICS

<b>Thermal Shock</b>	5 Cycles, -55°C to 125°C
<b>Moisture Resistance</b>	Mil-STD-202, Method 106
<b>Life Test</b>	2000 hours at 125°C at 2X WVDC
<b>Solderability</b>	Solder Coverage > 90% of end termination
<b>Terminal Strength</b>	4 lbs. typ., 2 lb. min.
<b>Military Approval</b>	DSCC Drawing Number 05001

# RF/Microwave Capacitors

## RF/Microwave Multilayer Capacitors (MLC)

### 600F Ultra-Low ESR, High Q, NPO Capacitors



## CAPACITANCE VALUES

Value (pF)	Cap Code	Marking	Tolerances	Value (pF)	Cap Code	Marking	Tolerances	Value (pF)	Cap Code	Marking	Tolerances
0.1	0R1	A9	A, B	3.3	3R3	N0	A, B, C, D	30	300	M1	F, G, J, K, M
0.2	0R2	H9	A, B	3.6	3R6	P0	A, B, C, D	33	330	N1	F, G, J, K, M
0.3	0R3	M9	A, B, C	3.9	3R9	Q0	A, B, C, D	36	360	P1	F, G, J, K, M
0.4	0R4	d9	A, B, C	4.3	4R3	R0	A, B, C, D	39	390	Q1	F, G, J, K, M
0.5	0R5	f9	A, B, C	4.7	4R7	S0	A, B, C, D	43	430	R1	F, G, J, K, M
0.6	0R6	m9	A, B, C	5.1	5R1	T0	A, B, C, D	47	470	S1	F, G, J, K, M
0.7	0R7	n9	A, B, C	5.6	5R6	U0	A, B, C, D	51	510	T1	F, G, J, K, M
0.8	0R8	t9	A, B, C	6.2	6R2	V0	A, B, C, D	56	560	U1	F, G, J, K, M
0.9	0R9	y9	A, B, C	6.8	6R8	W0	B, C, J, K	62	620	V1	F, G, J, K, M
1.0	1R0	A0	A, B, C, D	7.5	7R5	X0	B, C, J, K	68	680	W1	F, G, J, K, M
1.1	1R1	B0	A, B, C, D	8.2	8R2	Y0	B, C, J, K	75	750	X1	F, G, J, K, M
1.2	1R2	C0	A, B, C, D	9.1	9R1	Z0	B, C, J, K	82	820	Y1	F, G, J, K, M
1.3	1R3	D0	A, B, C, D	10	100	A1	F, G, J, K, M	91	910	Z1	F, G, J, K, M
1.5	1R5	E0	A, B, C, D	11	110	B1	F, G, J, K, M	100	101	A2	F, G, J, K, M
1.6	1R6	F0	A, B, C, D	12	120	C1	F, G, J, K, M	110	111	B2	F, G, J, K, M
1.8	1R8	G0	A, B, C, D	15	150	E1	F, G, J, K, M	120	121	C2	F, G, J, K, M
2.0	2R0	H0	A, B, C, D	18	180	G1	F, G, J, K, M	150	151	E2	F, G, J, K, M
2.2	2R2	J0	A, B, C, D	20	200	H1	F, G, J, K, M	180	181	G2	F, G, J, K, M
2.4	2R4	K0	A, B, C, D	22	220	J1	F, G, J, K, M	200	201	H2	F, G, J, K, M
2.7	2R7	L0	A, B, C, D	24	240	K1	F, G, J, K, M	220	221	J2	F, G, J, K, M
3.0	3R0	M0	A, B, C, D	27	270	L1	F, G, J, K, M	240	241	K2	F, G, J, K, M

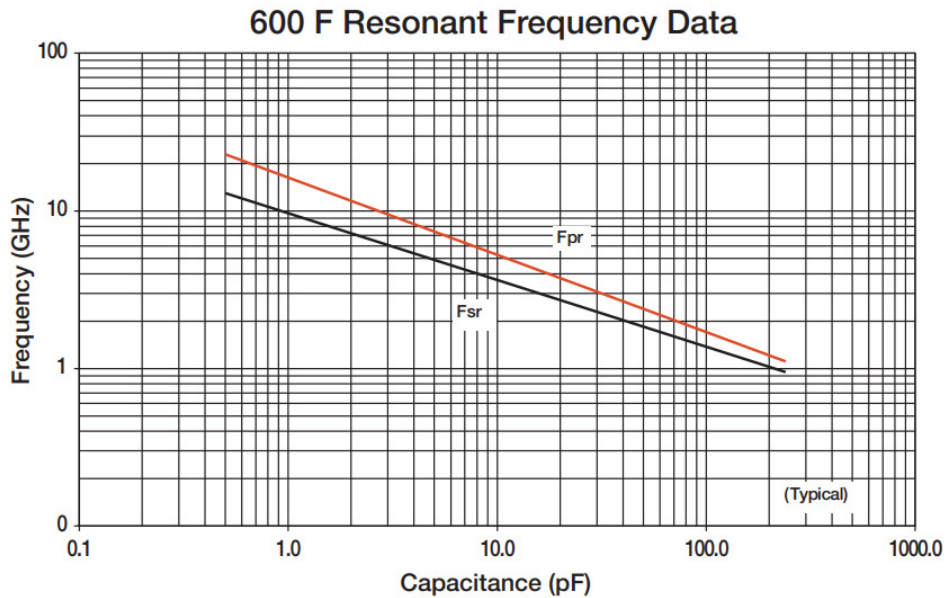
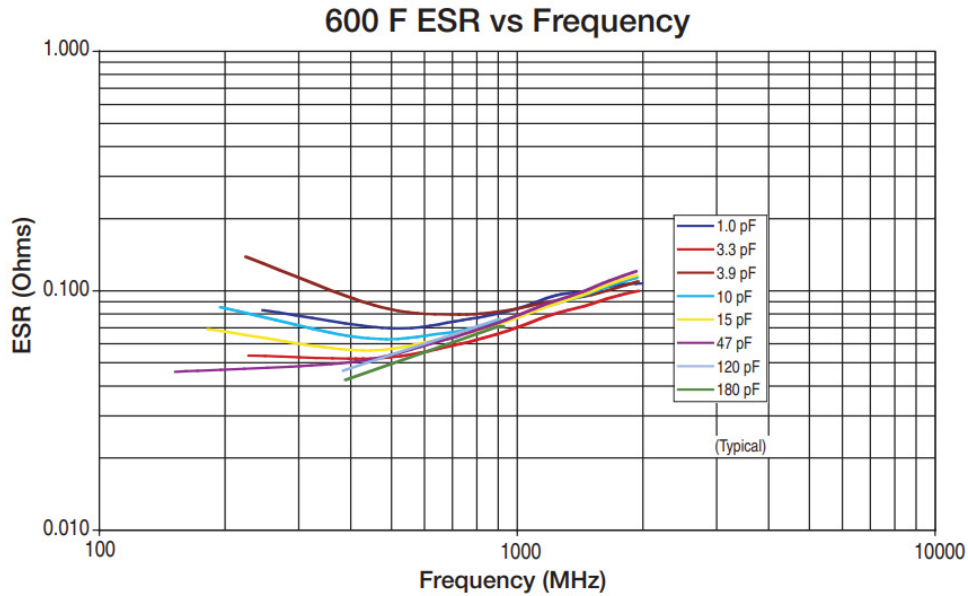
## HOW TO ORDER

**Series** 600  
**Case Size** F  
 See mechanical dimensions below  
**Capacitance Code** 100  
 EIA Capacitance Code in pF.  
 Third digit = number of zeros or after "R" significant figures  
**Capacitance Tolerance Code** J  
**Termination Style Code** T  
**Voltage Rating** 250  
**Laser Marking (Optional)** X\*\*  
**Packaging** T

Code	A	B	C	D	F	G	J	K	M
Tol.	±0.05 pF	±0.1 pF	±0.25 pF	±0.5 pF	±1%	±2%	±5%	±10%	±20%

T = Tin Plated over Nickel Barrier (RoHS Compliant)  
 TN = Tin Plated Non-Magnetic Barrier  
 W = Tin/Lead Solder Nickel Barrier

\*\*Laser Marking is optional



#### 600F Series Data Sheet Condition Description

Capacitors horizontally mounted on 23.3-mil thick Rogers R0435® softboard 52-mils wide 1/2 oz. Cu traces  
**FSR** = lowest frequency at which S11 response, referenced at capacitor edge, crosses real axis on Smith Chart.  
**FPR** = lowest frequency at which there is a notch in S21 magnitude response.

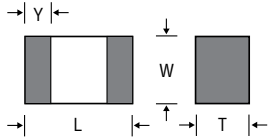
# RF/Microwave Capacitors

## RF/Microwave Multilayer Capacitors (MLC)

### 600F Ultra-Low ESR, High Q, NPO Capacitors



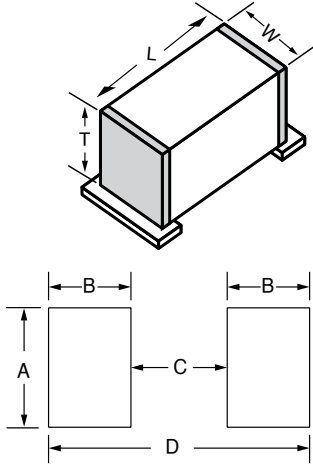
## OUTLINE DIMENSIONS



<b>L (0805)</b>	L: $.079 \pm .008$ (2.01 $\pm$ 0.20)	T: .051 max (1.30 max)
	W: $.049 \pm .008$ (1.24 $\pm$ 0.20)	Y: $.020 \pm 0.01$ (0.51 $\pm$ 0.25)

inches (mm)

## SUGGESTED MOUNTING PAD DIMENSIONS



### Case Size L, S, and F

Case Size	A Min.	B Min.	C Min.	D Min.
<b>0402 (1005)</b>	.0275 (0.70)	.0354 (0.90)	.0157 (0.40)	.0866 (2.20)
<b>0603 (1608)</b>	.0393 (1.00)	.0433 (1.10)	.0236 (0.60)	.110 (2.80)
<b>0805 (2012)</b>	.0590 (1.50)	.0512 (1.30)	.0236 (0.60)	.1259 (3.20)

inches (mm)

## DESIGN KITS

Kit #	RoHS Compliant	Item #	Description	Cap. Value Range (pF)	Cap. Value (pF)	Tol. (pF)	Price
Kit 32T		DK0032T	600F Series Ultra-low ESR, High Q Microwave Capacitors 16 different values, 15 pcs. min. per value	0.1 to 2.0	0.1, 0.2, 0.3, 0.4, 0.5, 0.6, 0.7, 0.8, 0.9, 1.0, 1.1, 1.2, 1.5 ..... $\pm$ 0.1% 1.6, 1.8, 2.0 ..... $\pm$ 0.25%		\$100.00
Kit 33T		DK0033T	600F Series Ultra-low ESR, High Q Microwave Capacitors 16 different values, 15 pcs. min. per value	0.1 to 10	1.0, 1.2, 1.5, 1.8, 2.0, 2.2, 2.4, 2.7, 3.0, 3.3 ..... $\pm$ 0.1% 3.9, 4.7, 5.6, 6.8, 8.2 ..... $\pm$ 0.25% 10 ..... $\pm$ 5%		\$100.00
Kit 34T		DK0034T	600F Series Ultra-low ESR, High Q Microwave Capacitors 16 different values, 15 pcs. min. per value	10 to 27	10, 12, 15, 18, 20, 22, 24, 27 ..... $\pm$ 5%		\$100.00
Kit 35T		DK0035T	600F Series Ultra-low ESR, High Q Microwave Capacitors 7 different values, 15 pcs. min. per value	100 to 240	100, 120, 150, 180, 200, 220, 240 ..... $\pm$ 5		\$55.00

For Online Kit Orders, Catalog & Application Notes, Visit: [www.avx.com](http://www.avx.com)

# Mouser Electronics

Authorized Distributor

Click to View Pricing, Inventory, Delivery & Lifecycle Information:

## Kyocera AVX:

[600F1R5BT250XT](#) [600F8R2BT250XT](#) [600F2R4BT250XT](#) [600F0R8BT250XT](#) [600F0R3BT250XT](#)  
[600F7R5BT250XT](#) [600F9R1BT250XT](#) [600F1R8BT250XT](#) [600F1R2BT250XT](#) [600F0R9BT250XT](#) [600F0R5BT250XT](#)  
[600F2R0BT250XT](#) [600F3R3BT250XT](#) [600F4R3BT250XT](#) [600F0R7BT250XT](#) [600F2R2BT250XT](#)  
[600F4R7BT250XT](#) [600F0R1BT250XT](#) [600F1R0BT250XT](#) [600F1R6BT250XT](#) [600F3R9BT250XT](#) [600F6R8BT250XT](#)  
[600F0R4BT250XT](#) [600F2R7BT250XT](#) [600F3R6BT250XT](#) [600F6R2BT250XT](#) [600F0R2BT250XT](#)  
[600F5R1BT250XT](#) [600F3R0BT250XT](#) [600F1R1BT250XT](#) [600F5R6BT250XT](#) [600F0R6BT250XT](#) [600F2R4BW250XT](#)  
[600F2R7BW250XT](#) [600F1R0BW250XT](#) [600F1R3BT250XT](#) [600F1R3BW250XT](#) [600F1R4BT250XT](#)  
[600F1R4BW250XT](#) [600F1R8BW250XT](#) [600F3R3BW250XT](#) [600F3R6BW250XT](#) [600F3R9BW250XT](#)  
[600F4R3BW250XT](#) [600F5R1BW250XT](#) [600F5R6BW250XT](#) [600F6R2BW250XT](#) [600F9R1BW250XT](#)  
[600F0R1BW250XT](#) [600F0R2BW250XT](#) [600F0R3BW250XT](#) [600F0R4BW250XT](#) [600F0R5BW250XT](#)  
[600F0R6BW250XT](#) [600F0R7BW250XT](#) [600F0R8BW250XT](#) [600F0R9BW250XT](#) [600F1R1BW250XT](#)  
[600F1R2BW250XT](#) [600F1R6BW250XT](#) [600F2R0BW250XT](#) [600F2R2BW250XT](#) [600F3R0BW250XT](#)  
[600F4R7BW250XT](#) [600F6R8BW250XT](#) [600F7R5BW250XT](#) [600F8R2BW250XT](#) [600F0R1BTRBW](#) [600F0R2BTRBW](#)  
[600F0R3BTRBW](#) [600F0R4BTRBW](#) [600F0R5BTRBW](#) [600F0R6BTRBW](#) [600F680JTRBW](#) [600F820JTRBW](#)  
[600F3R3BTRBW](#) [600F3R9CTR](#) [600F470JTRBW](#) [600F4R7CTR](#) [600F560JTRBW](#) [600F5R6CTR](#)  
[600F2R4BTRBW](#) [600F2R7BTRBW](#) [600F300JTRBW](#) [600F330JTRBW](#) [600F390JTRBW](#) [600F3R0BTRBW](#)  
[600F220JTRBW](#) [600F240JTRBW](#) [600F241JTRBW](#) [600F270JTRBW](#) [600F2R0BTRBW](#) [600F2R2BTRBW](#)  
[600F151JTRBW](#) [600F1R0BTRBW](#) [600F1R5BTRBW](#) [600F1R8BTRBW](#) [600F200JTRBW](#) [600F201JTRBW](#)  
[600F0R7BTRBW](#)